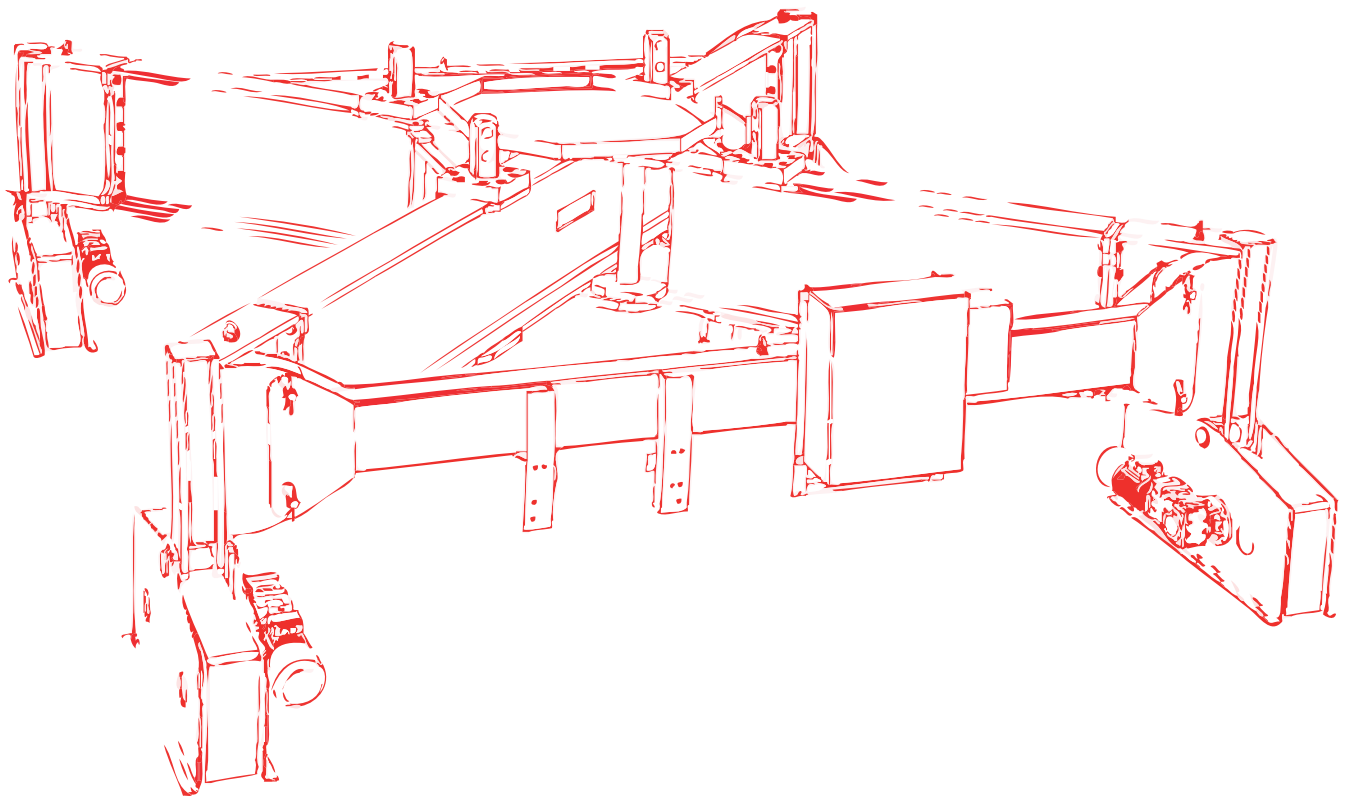


System component

WOLFF Travelling cross frame

Technical informations



English

English



Published by

WOLFFKRAN GmbH

Austraße 72

74076 Heilbronn

Germany

Phone +49 7131 9815 0

Fax +49 7131 9815 355

www.wolffkran.com

info@wolffkran.de

Copyright

This documentation including all of its subsections is protected by copyright laws.

Any type of use or modification outside of the stringent limits of the copyright laws without permission of WOLFFKRAN GmbH is prohibited and subject to penalties.

This applies particularly for copying, translation, microfilming and storage and processing in electronic systems.

At the time of printing, the information, data, illustrations and notes comprised in this manual were up-to-date.

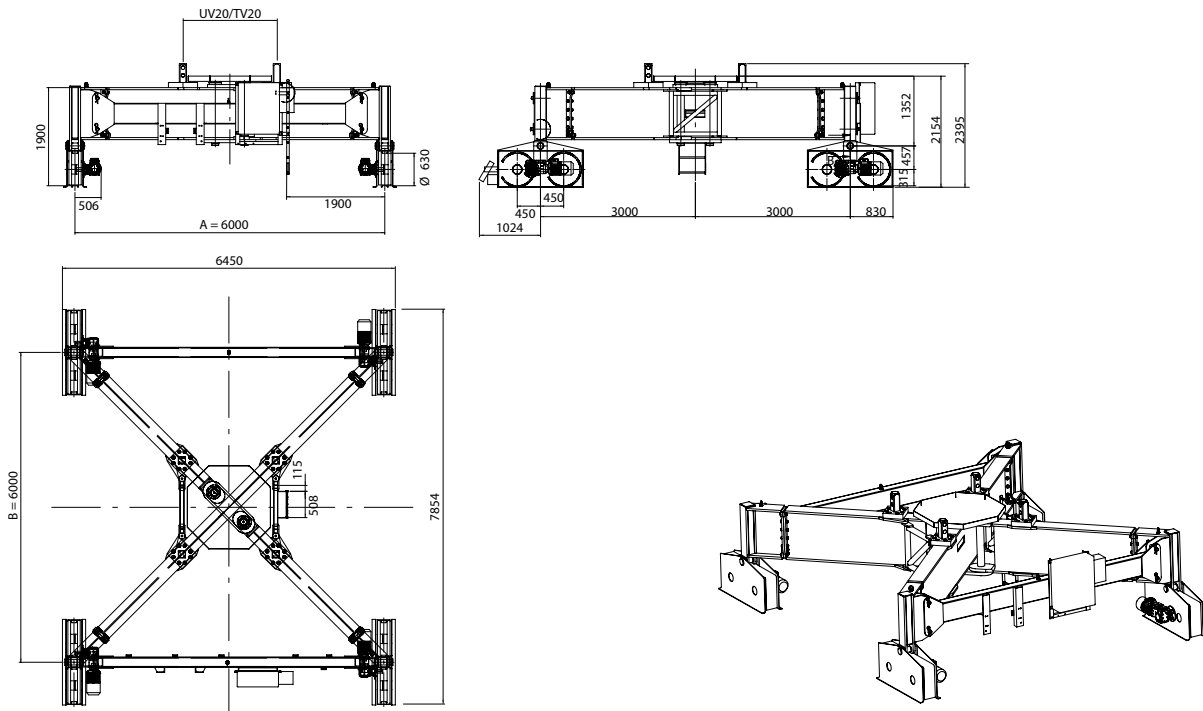
Subject to change of design, error and typos.

Stand: 06/2013

Table of contents

1	Cross frame KRF 10-46/60	5
2	Cross frame KRF 12-60/80	6

1 Cross frame KRF 10-46/60



Rail gauge A	6.00 m
Wheelbase B	6.00 m
Rail profile	S 64 (DIN 5902)
Crane traversing speed	30 m/min
Accumulated motor power	22 kW (4 x 5.5 kW)
Total weight KRF 10-46/60 , with bolted spigots AZ 140 M, without tower element and rope drum	17500 kg

The KRF 10-46/60 mobile cross frame is used as an independent module within the WOLFF slewing tower crane system.

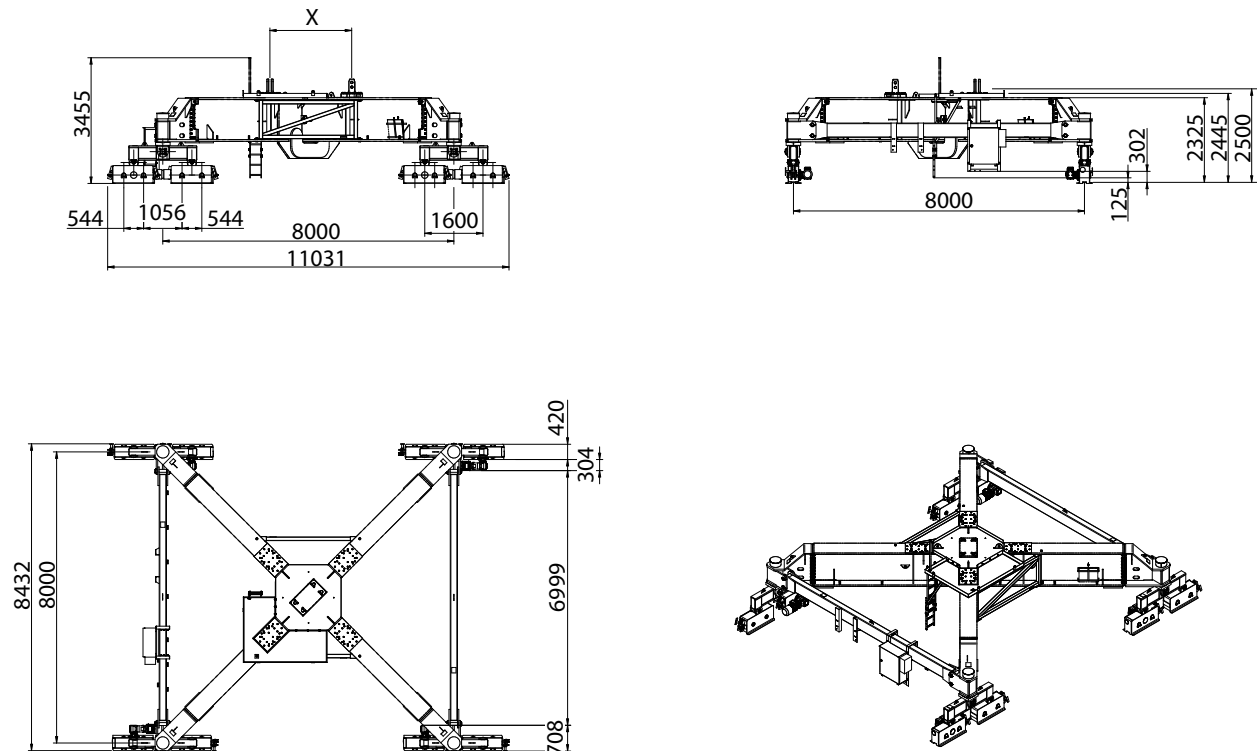
The KRF 10-46/60 mobile cross frame is used to move the slewing tower crane.

For information pertaining to application options, refer to the manual of the corresponding WOLFF slewing tower crane (tower combination, central ballast block / corner load tables).

2 Cross frame KRF 12-60/80

2 Cross frame KRF 12-60/80

Mobile cross frame, KRF4 12-60/80



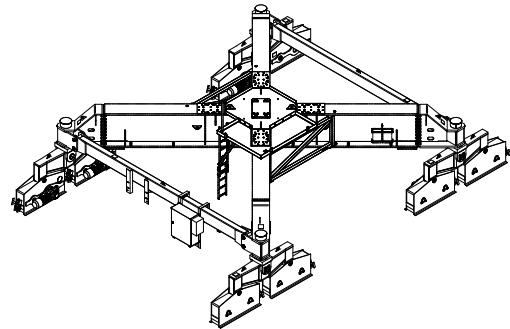
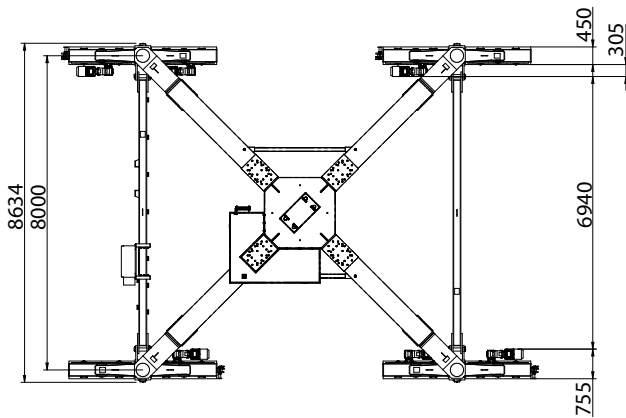
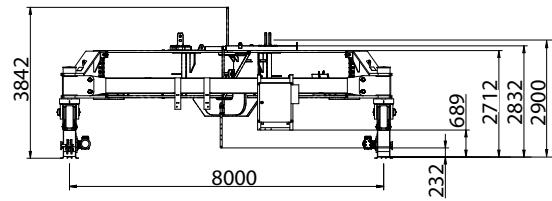
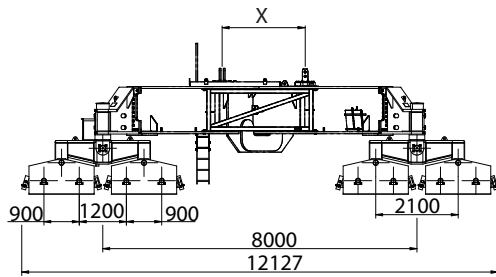
Rail gauge	8.00 m
Wheelbase	8.00 m
Rail profile	S 49 (DIN 5902)
Crane traversing speed	25 m/min
Accumulated motor power	22 kW (4 x 5,5 kW)
Total weight KRF 4 12-60/80 , without bolted spigots, without tower element and rope drum	32.30 t

The KRF 4 12-60/80 mobile cross frame is used as an independent module within the WOLFF slewing tower crane system.

The KRF 4 12-60/80 mobile cross frame is used to move the slewing tower crane.

For information pertaining to application options, refer to the manual of the corresponding WOLFF slewing tower crane (tower combination, central ballast block / corner load tables).

Mobile cross frame, KRF6 12-60/80



Rail gauge	8.00 m
Wheelbase	8.00 m
Rail profile	S 64 (DIN 5902)
Crane traversing speed	30 m/min
Accumulated motor power	33 kW (6 x 5.5 kW)
Total weight KRF 6 12-60/80 , without bolted spigots, without tower element and rope drum	41.20 t

The KRF 6 12-60/80 mobile cross frame is used as an independent module within the WOLFF slewing tower crane system.

The KRF 6 12-60/80 mobile cross frame is used to move the slewing tower crane.

For information pertaining to application options, refer to the manual of the corresponding WOLFF slewing tower crane (tower combination, central ballast block / corner load tables).

WOLFFKRAN Group

Headquarter international:

WOLFFKRAN AG

Baarermattstraße 6

CH-6300 Zug

Switzerland

Phone +41 41 766 85 00

Fax +41 41 766 85 99

info@wolffkran.com

Manufacturing:

WOLFFKRAN GmbH

Austraße 72

D-74076 Heilbronn

Germany

Phone + 49 7131 9815 0

Fax + 49 7131 9815 355

info@wolffkran.de

WOLFFKRAN Werk Brandenburg GmbH

Frederik-Ipsen-Straße 5

D-15926 Luckau OT Alverno

Germany

Phone + 49 35456 674 0

Fax + 49 35456 674 200

info@wolffkran.de